

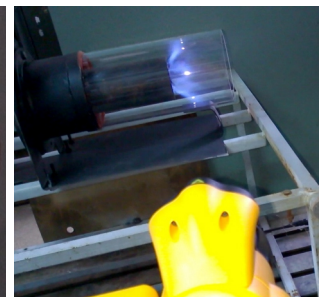
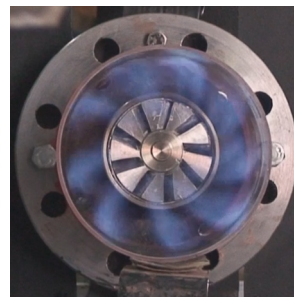
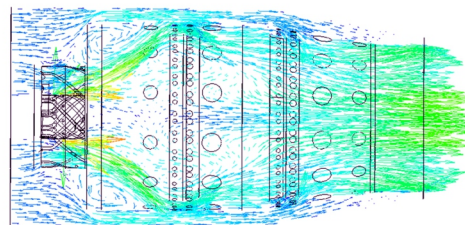
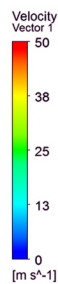
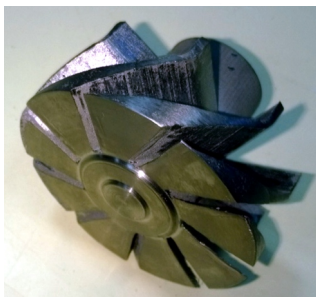
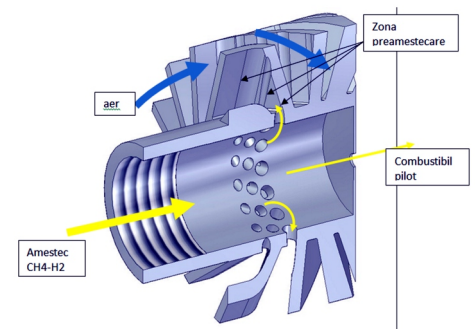
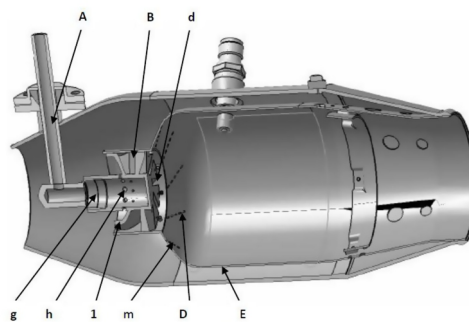
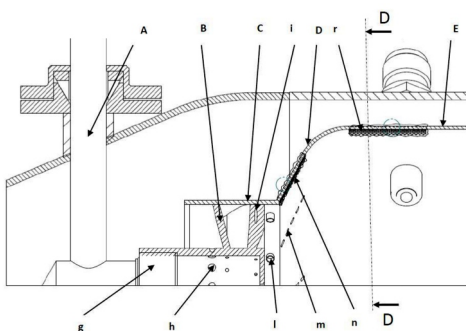
Premixed swirled combustion chamber

Authors: Răzvan Cărlănescu, Tudor Prisecaru, Valentin Silivestru, Mălina Mihaela Prisecaru, Vlad Țecu, Cornel Sandu, Cristian Cărlănescu

Patent No.: A201600025

Research project RO 76/2014: COMOTI - UPB - GE

Industrial Partener GENERAL ELECTRIC Aviation



Description:

The invention relates to a premixed and swirled combustion chamber which is used in the field of gas turbines operating on gaseous fuels, especially for the case when the gaseous fuel is a mix of gases with high burning velocity like hydrogen.

Novelty:

- The swirled injector with helical flared flow channels and convergent nozzle.
- Sectorial jets with optimization of the dosage.
- Counter-flow cooling effusion jets in opposite direction to the swirl.

Advantages:

- The axial helical flow sections of the swirled injector are formed by convergent nozzles – this eliminates the risk of flame flashback phenomenon.
 - The elongated parallelogram slot holes at the exit of the vortex allow the adjusting of the optimal dosage.
- The disposal of the orifices as layout and angle on the fire tube removes the effusion cooling on the boundary layer zone, eliminating the possibility of freezing chemical reactions.

Class V



COMOTI
ROMANIAN RESEARCH &
DEVELOPMENT INSTITUTE FOR
GAS TURBINES

Address: 220D Iuliu Maniu Ave., 061126 Bucharest, ROMANIA, P.O. 76, P.O.B. 174
Phone: (+4)021/434.01.98, (+4)021/434.02.40; Fax: (+4)021/434.02.41
e-mail: contact@comoti.ro

www.comoti.ro

Inventions
Geneva
44th International Exhibition
of Inventions Geneva
The world's most important
13 - 17 April 2016